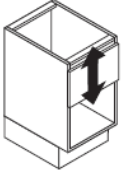
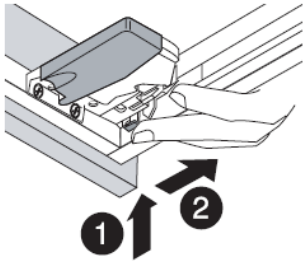
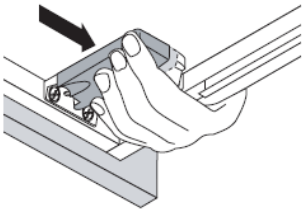
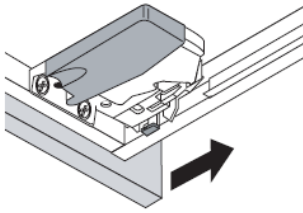
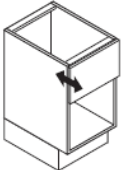
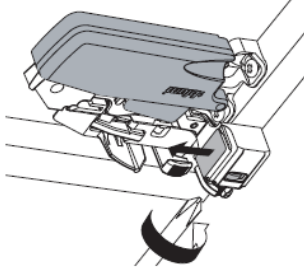
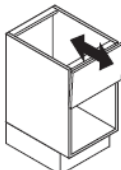
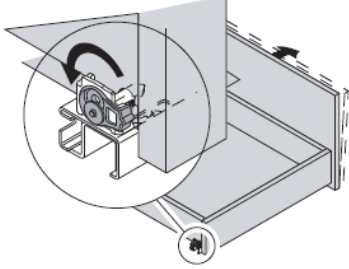


Wolverine Brand Cabinetry

Blum Tandem plus series
Drawer Glide Adjustment

TANDEM plus drawer adjustments	
<p>Height adjustment</p>  <ol style="list-style-type: none"> 1. Press down on adj. latch. 2. Push latch towards back of drawer after pressing down. <p>Provides upward adj. only.</p> 	<p>Drawer removal / installation</p> <p>Drawer removal:</p> <ol style="list-style-type: none"> 1. Reach under the drawer and squeeze the orange handles of both locking devices. 2. While holding the handles, pull the drawer straight out and lift it off the runners.  <p>Drawer installation:</p> <ol style="list-style-type: none"> 1. Place drawer on the runners (either extended or retracted) and close. 2. The locking devices will automatically engage with the runners. Open drawer completely to confirm that both locking devices have engaged. 
<p>Depth adjustment*</p>  <p>Turning the adj. screw gives up to 3/16" (4mm) out adj. Provides outward adj. only.</p> <p>* Note: Depth adjustment is only possible with special locking devices as shown in the illustration below. This is not a standard feature.</p> 	<p>Tilt adjustment</p>  <p>Rotate tab on rear hook for tilt adjustment.</p> 

Videos:

https://www.blum.com/file/tandemplusbmn_mo_an_fi_bus?country=US&language=en

<https://youtu.be/QwcbwYedXuE>

