

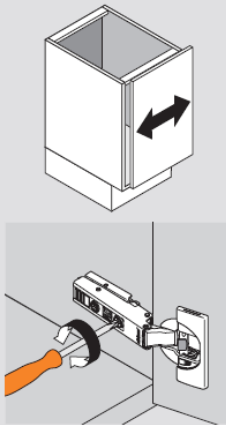
Wolverine Brand Cabinetry

**Blum – Clip Top Blumotion
Hinge Adjustment with Inset Cabinet Construction and Frameless Cabinet Construction**

Three-dimensional adjustment

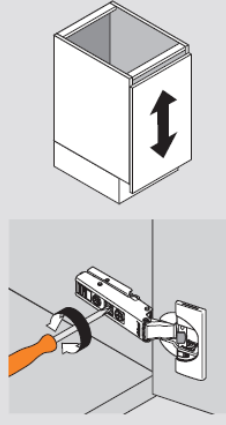
Side adjustment

Rotate front screw to increase or decrease door overlay (± 2 mm).



Height adjustment

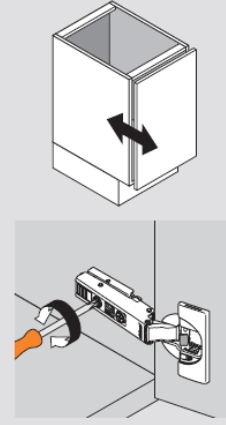
Rotate cam screw on mounting plate to adjust door position (± 2 mm).



On non-cam mounting plates, loosen screws, adjust door and retighten screws.

Depth adjustment

Rotate rear spiral tech cam screw to adjust door gap ($+3$ mm, -2 mm).



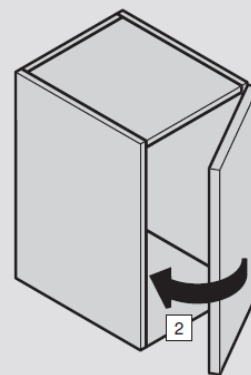
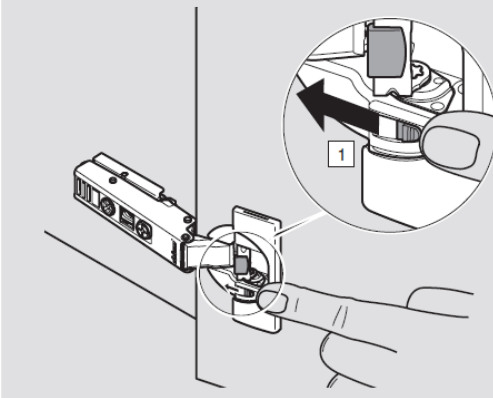
Subject to technical modifications without notice. © 2010
LIT.HNG5100.08.10

BLUMOTION deactivation

Switch on hinge cup

For small or light doors, the BLUMOTION can be deactivated on one of the hinges.

Door must be closed once for the deactivation to be complete. To reactivate, move switch back to original position.



Videos:

https://www.blum.com/file/cliptopbmnadj_mo_an_fi_bus?country=US&language=en

<https://www.youtube.com/watch?v=aUgd7WT01DU>

